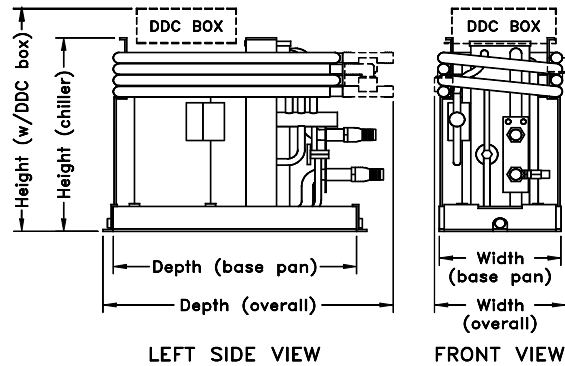


MCW Chiller Physical Specifications

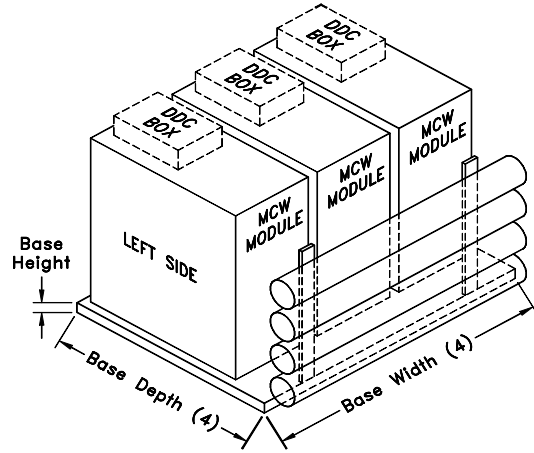
Dometic Corporation - Marine Air Systems

MODULES	Tons	Height (module)	Height (w/DDC box)	Depth (1) (base pan)	Depth (2) (overall)	Width (base pan)	Width (overall)	Water Connect Circ.	Sea	Est. Net Weight	Est. Gross Weight
MCW24	2	22.50/57.2	22.50/57.2	24.00/61.0	26.00/66.1	12.00/30.5	12.50/31.8	1.0"	1.0"	107/49	194/88
MCW36R	3	22.75/57.8	26.00/66.1	24.00/61.0	26.00/66.1	12.00/30.5	12.50/31.8	1.0"	1.0"	135/61	222/101
MCW36S	3	22.50/57.2	23.50/59.7	24.00/61.0	26.00/66.1	12.00/30.5	12.50/31.8	1.0"	1.0"	107/49	194/88
MCW48R	4	22.75/57.6	26.00/66.1	24.00/61.0	28.50/72.4	12.00/30.5	13.00/33.0	1.0"	1.0"	159/72	246/112
MCW48S 60Hz	4	22.50/57.2	23.75/60.3	24.00/61.0	29.75/75.6	12.00/30.5	13.00/33.0	1.0"	1.0"	154/70	241/109
MCW48S 50Hz	4	23.63/60.0	24.38/61.9	24.00/61.0	29.75/75.6	12.00/30.5	13.00/33.0	1.0"	1.0"	154/70	241/109
MCW60R	5	26.44/67.2	29.69/75.4	24.00/61.0	29.00/73.7	12.00/30.5	13.00/33.0	1.0"	1.0"	173/78	260/118
MCW60S 1Ph	5	23.63/60.0	26.88/68.3	24.00/61.0	28.75/73.0	12.00/30.5	13.00/33.0	1.0"	1.0"	176/80	263/119
MCW60S 3Ph	5	22.50/57.2	25.75/65.4	24.00/61.0	28.75/73.0	12.00/30.5	13.00/33.0	1.0"	1.0"	176/80	263/119
MCW72S 60Hz	6	22.50/57.2	25.75/65.4	24.00/61.0	28.75/73.0	12.00/30.5	13.00/33.0	1.0"	1.0"	180/82	267/121
MCW72S 50Hz	6	24.50/62.2	28.50/72.4	24.00/61.0	34.00/86.4	16.00/40.6	17.50/44.5	1.0"	1.0"	265/120	365/166
MCW90S	7.5	28.00/71.1	31.55/80.1	24.00/61.0	28.50/72.4	16.00/40.6	18.00/45.7	1.5"	1.5"	310/141	410/186
MCW120S	10	34.25/87.0	38.55/97.9	24.00/61.0	28.50/72.4	16.00/40.6	18.00/45.7	1.5"	1.5"	390/177	500/227
MCW150S	12.5	46.24/117.5	Box Remote	26.75/67.9	31.88/81.0	18.63/47.3	19.50/49.5	1.5"	2.0"	425/193	545/247
MCW180S	15	49.20/125.0	Box Remote	26.75/67.9	31.88/81.0	18.63/47.3	19.50/49.5	2.0"	2.0"	475/215	600/272

BASES	Height (3)	Depth (4)	Width (4)
2-6 ton modules (5)			
2 stages	1.50/3.8	31.00/78.7	28.00/71.1
3 stages	1.50/3.8	31.00/78.7	41.50/105.4
4 stages	1.50/3.8	31.00/78.7	55.50/141.0
5 stages	1.50/3.8	31.00/78.7	69.50/176.5
7.5-10 ton modules			
2 stages	3.00/7.6	35.50/90.2	36.00/91.4
3 stages	3.00/7.6	35.50/90.2	53.50/135.9
4 stages	3.00/7.6	35.50/90.2	71.50/181.6
5 stages	3.00/7.6	35.50/90.2	88.50/224.8
12.5-15 ton modules			
2 stages	4.00/10.2	41.75/106.0	39.25/99.7
3 stages	4.00/10.2	41.75/106.0	59.88/152.1
4 stages	4.00/10.2	41.75/106.0	80.50/204.5
5 stages	4.00/10.2	41.75/106.0	101.13/256.9



ELECTRIC BOXES (6) (REMOTE MOUNTED)	Width	Height (7)	Depth
DDC 2-6 ton (1 per stage)	9.80/24.9	11.00/27.9	3.70/9.4
DDC 7.5-10 ton (1 per stg)	12.00/30.5	13.30/33.8	4.30/10.9
DDC 12.5-15 ton	Dimensions TBD		
CWMC-OTS			
Standard "Off the Shelf"	12.00/30.5	14.00/35.6	4.63/11.7
OTS with 1 extra pump	15.00/38.1	11.00/27.9	4.63/11.7
CWMC w/DDC			
2 stages	22.00/55.9	24.00/61.0	7.75/19.9
3 stages (8)	22.00/55.9	24.00/61.0	7.75/19.9
4 stages	30.00/76.2	24.00/61.0	7.75/19.9
5 stages	35.00/88.9	24.00/61.0	7.75/19.9
Hydromatic (9)			
2 stages & 3 stages 3ph	24.00/61.0	22.00/55.9	6.75/17.1
3 stages 1ph & 4 stages	30.00/76.2	22.00/55.9	6.75/17.1
5 stages	30.00/76.2	24.00/61.0	6.75/17.1
5 stages I.P.	34.00/86.4	24.00/61.0	6.75/17.1



NOTES:

- Verify all critical dimensions with Dometic. All dimensions are given in inches/cm and all estimated weights are in pounds/kg (+/-10%). Dimensions of frames and bases are +/- 1/4" (0.7cm). Dimensions of modules and manifolds are +/- 1/2" (1.3cm).
- (1) For all modules, add 1.0" (2.5cm) to both front and back for mounting brackets.
- (2) Overall depth includes mounting bracket in back (for 2-10 ton modules) and condenser tees in front (see diagram).
- (3) Add module height and base height for overall height of a multi-staged chiller mounted on a base.
- (4) Manifolds may extend up to 5.0" (12.7cm) in front of and up to 7.0" (17.8cm) to the side of base (see diagram).
- (5) Use base dimensions of 7.5 ton modules for MCW 6 ton at 50Hz.
- (6) Electric box sizes shown are for typical chillers, multiple stages of electric heat or additional pumps may increase box size.
- (7) Add 1.0" (2.5cm) to top & bottom for mounting tabs, also allow a minimum clearance of 4.0" (10.2cm) on bottom for harnesses.
- (8) If a three stage chiller has electric heat and/or 3-4 pumps, then use the four stage electric box size.
- (9) If using frequency drives, specify the next size smaller box. If box is immersion protected (I.P.), specify the next size up.